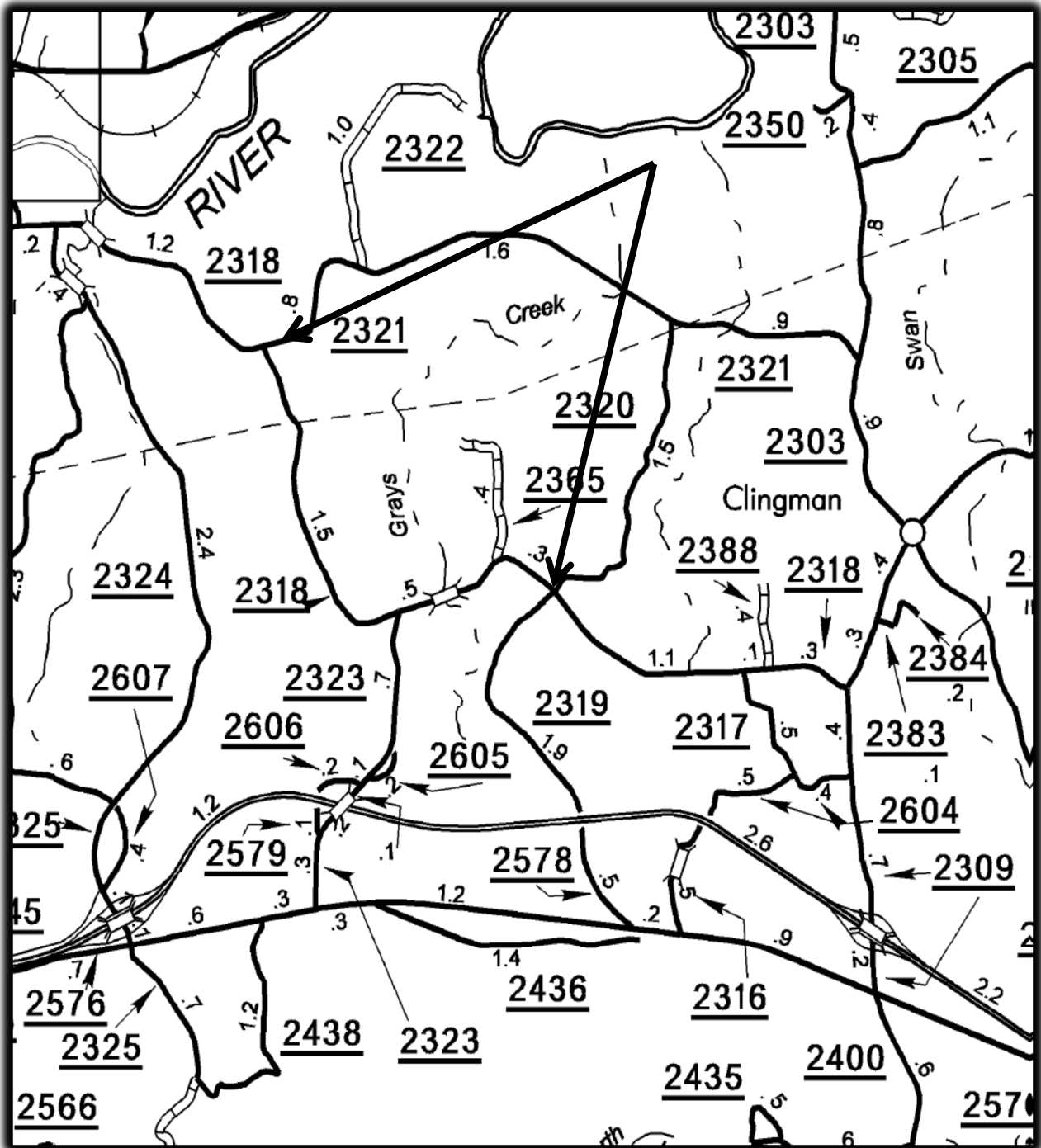


# VICINITY MAP

SR 2318 MATHIS MILL ROAD

FROM SR 2321 (OLD NC 60) TO SR 2319 (CLINGMAN RD.)

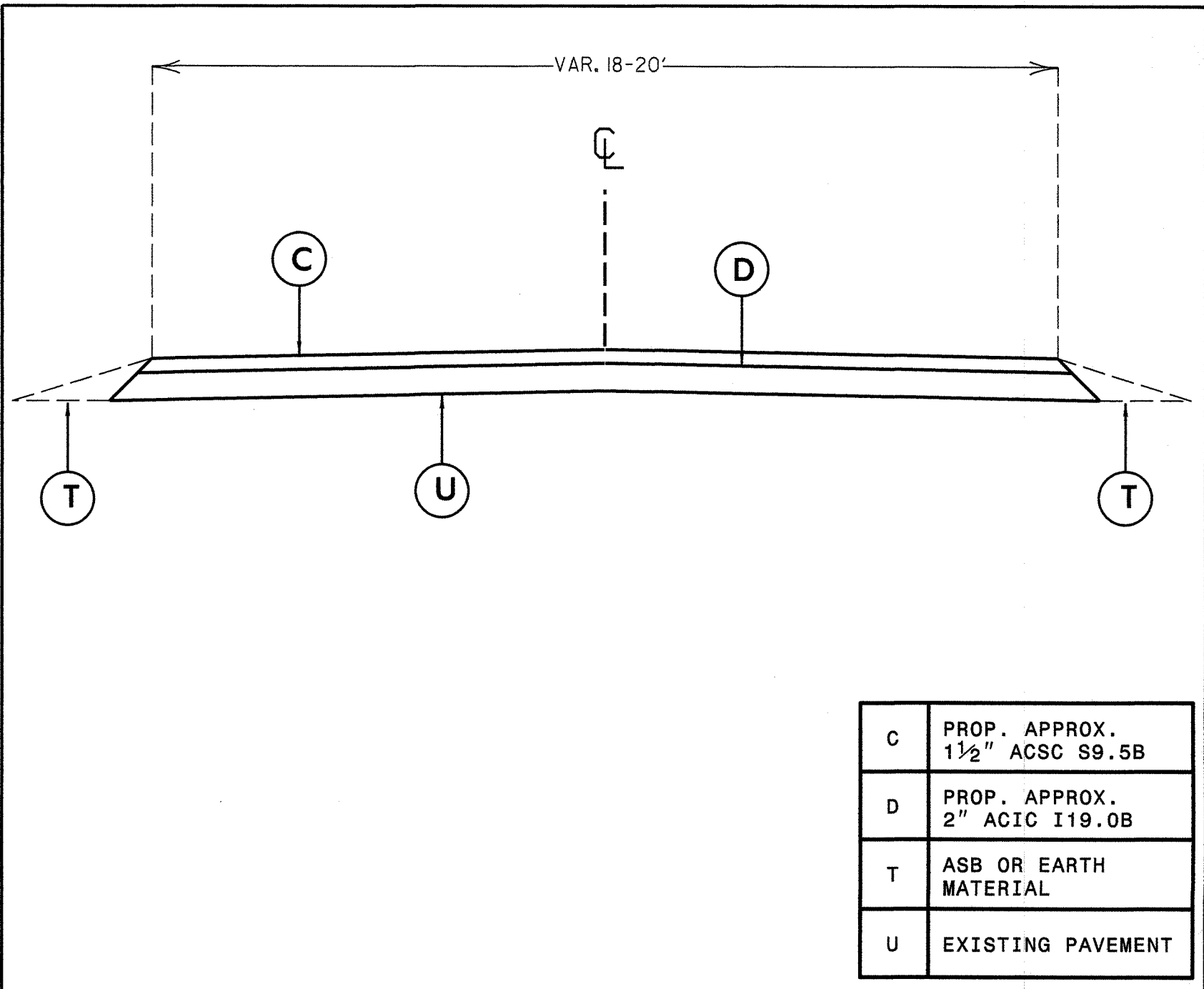


PROJECT NO.	SHEET NO.	TOTAL NO.
11C.097170		

### SUMMARY OF QUANTITIES

PROJECT NO	COUNTY	MAP NO	ROUTE	DESCRIPTION	TYP NO	LANES	LANE TYPE	FINAL SURFACE TESTING REQUIRED	WARM MIX ASPHALT REQUIRED	LENGTH MI	WIDTH FT	BORROW EXCAVATION CY	INCIDENTAL STONE BASE TONS	SHOULDER RECONSTRUCTION SMI	INCIDENTAL MILLING SY	INTERMEDIATE COURSE, I19.0B TONS	SURFACE COURSE, S9.5B TONS	ASPHALT BINDER FOR PLANT MIX TONS	SEED & MULCHING AC	4413000000-E STATIONARY WORK ZONE SIGN SF	4457000000-N TEMPORARY TRAFFIC CONTROL LS	4810000000-E 4" WHITE PAINT LF	4810000000-E 4" YELLOW PAINT LF
11C.097170	Wilkes	1	SR 2318 (MATHIS MILL ROAD)	FROM 2321 (OLD 60) TO 2319 (CLINGMAN ROAD)	1	2	2WU	NO	NO	3.818	18	1,145	50	7.64	900	5,870	3,450	489	3.70	554	1.00	80,636	76,360
<b>TOTAL FOR PROJ NO. 11C.097170</b>										<b>3.818</b>		<b>1,145</b>	<b>50</b>	<b>7.64</b>	<b>900</b>	<b>5,870</b>	<b>3,450</b>	<b>489</b>	<b>3.70</b>	<b>554</b>	<b>1</b>	<b>80,636</b>	<b>76,360</b>
<b>GRAND TOTAL</b>										<b>3.818</b>		<b>1,145</b>	<b>50</b>	<b>7.64</b>	<b>900</b>	<b>5,870</b>	<b>3,450</b>	<b>489</b>	<b>3.70</b>	<b>554</b>	<b>1</b>	<b>80636</b>	<b>76360</b>

MATCHLINE SEE SHEET



MATCHLINE SEE SHEET

C	PROP. APPROX. 1½" ACSC S9.5B
D	PROP. APPROX. 2" ACIC I19.0B
T	ASB OR EARTH MATERIAL
U	EXISTING PAVEMENT

NOT TO SCALE